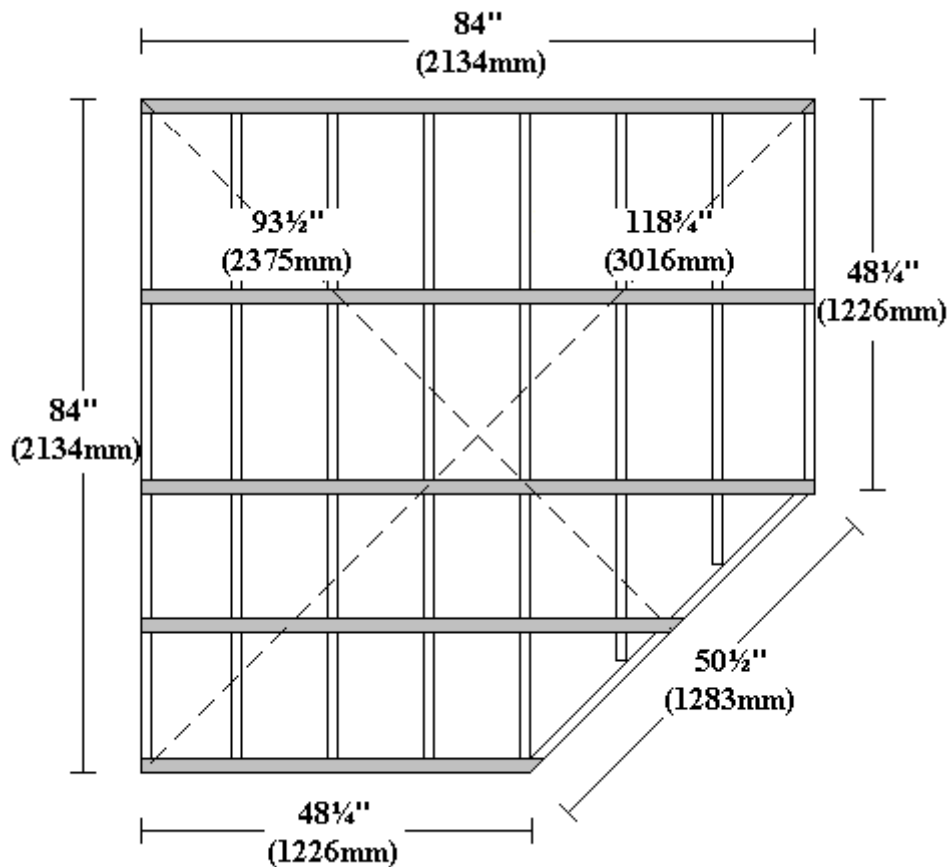




**IMPORTANT:** Please note that the Bewdley Corner requires a patio slab, concrete or timber decking foundation. It is essential that the base is completely level in all directions, otherwise windows and doors may not operate correctly. A minimum clearance of 18" (456mm) must be available ALL around the building for installation purposes.

## 7' x 7' Bewdley Corner



NB:- Floor joists run from right hand back to left hand front.  
Optional Floor Bearers run from left hand back to right hand front.